

Manual Instruction

M-602H Wireless contactless switch

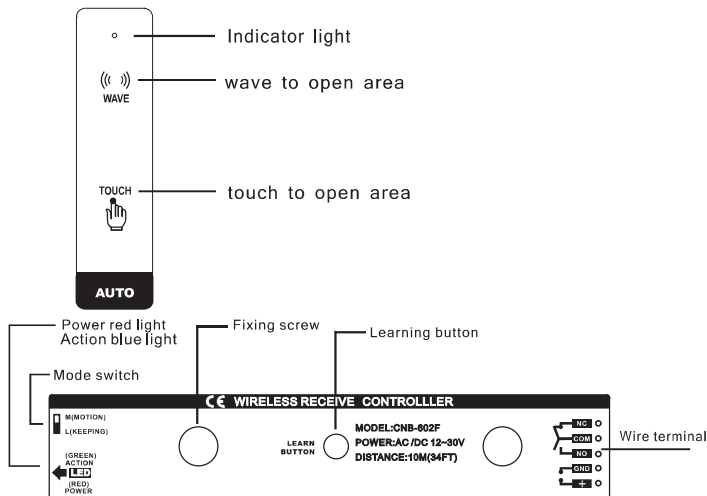
Make your choice.....



1 Safety instruction

! Thank you for your purchasing our products, please refer to the following operation sheet before usage.

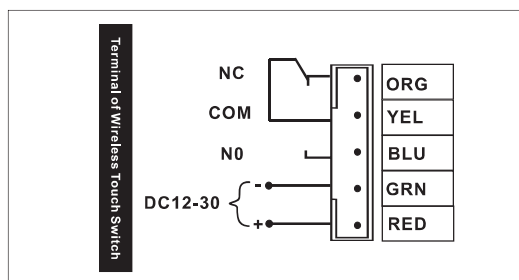
2 Product Over-view



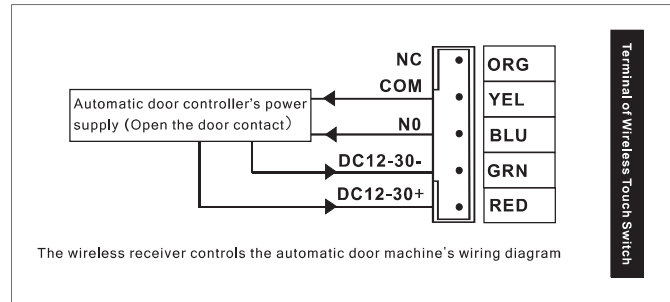
3 Characteristic

- The strip panel adopts dual induction system, the upper part of the panel is wave induction mode, the lower part is touch induction mode.
- The touch sensing on the whole strip panel is effective, gently touch can open the door.
- The whole panel support touch induction mode, The door can be opened at the slightest touch
- Adopt 2.4G wireless communication technology, the frequency consistency is good, and the wireless transmission reception stability is high.
- The transmitter adopts low-power transmission technology, with long range, low power consumption and long battery life.
- The receiver adopts self-learning code, which is convenient for customers to add hand switch at any time.
- Receiver adopts wide voltage input design, 12-30V AC/DC power input are valid.
- When the remote control is active, the red light is on, and it can be confirmed whether the switch is valid.

4 Definition of Input and Output

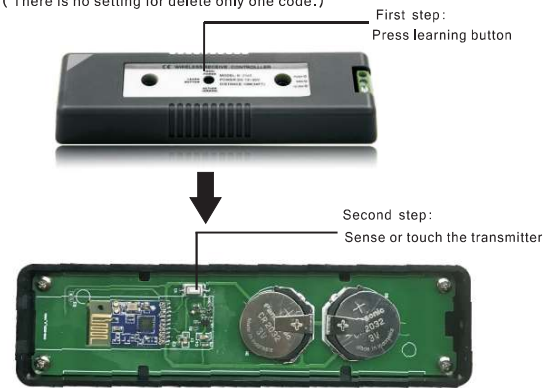


5 Wiring Diagram for Wireless Receiver



6 Matching Methods

- This product is self-learning code. Before using it, the transmitter code must be learned into the controller. The controller can learn up to 20 transmitters.
- Learning method: press the receiver's learning button to release, the indicator light show blue light means enter the learning model, then induction or touch the transmitter, the receiver's blue light flashing two times, it means learn successfully. Automatically returns to standby after 5 seconds.
- Delete method: Press learning button for 5 seconds, blue light shining 5 times, all codes are deleted. (There is no setting for delete only one code.)



Remark: Since the system has learned the current touch environment when the battery is installed, when fixing it to the wall, it may appear to be in the sensing status. Don't touch the panel at this time, after 16 seconds the system will re-learn the touch environment.

7 Output status selection

- If the status selection switch is turned to the M position, it is the output of inching. Every touch of the manual switch will output the door opening signal of about 1.5s. Most of the receivers used with the manual switch choose this position.
- If the state selection is turned to the L position, it is a hold-type output, the output signal is kept. Each touch of the manual switch, the output state will flip and change once time.
- Normally open function in M state: If dialing in the M-point state, the transmitter is continuously touched for 5 seconds to see that the indicator light flashes and the receiver enters the normally open state. When the transmitter is touched again, the normally open state is released.

8 Technical Parameter

Power supply (Wireless receiver):	DC12~30V
Static current:	13 μA (DC12V)
Action current:	74mA (DC12V)
Main contact capacity(Wireless receiver):	1A 24VDC
Contact suction holding time (Wireless receiver):	1.5 Seconds
Power supply (Transmitter):	3V (2pcs 3V battery to supply power)
Standby current(Transmitter):	≤10.5 μA
Emission current (Transmitter):	13.4mA
Life of battery(Transmitter):	The average press 200time per day, can withstand 210 days.
Receiver sensitivity:	-95dbm
Emission distance:	Over 30 meters in no obstacles area
Max sensing distance:	20mm
Product size (Transmitter):	135mm (L) ×36mm (W) ×10mm (H)
Product size (Receiver):	110mm (L) ×30mm (W) ×15mm (H)