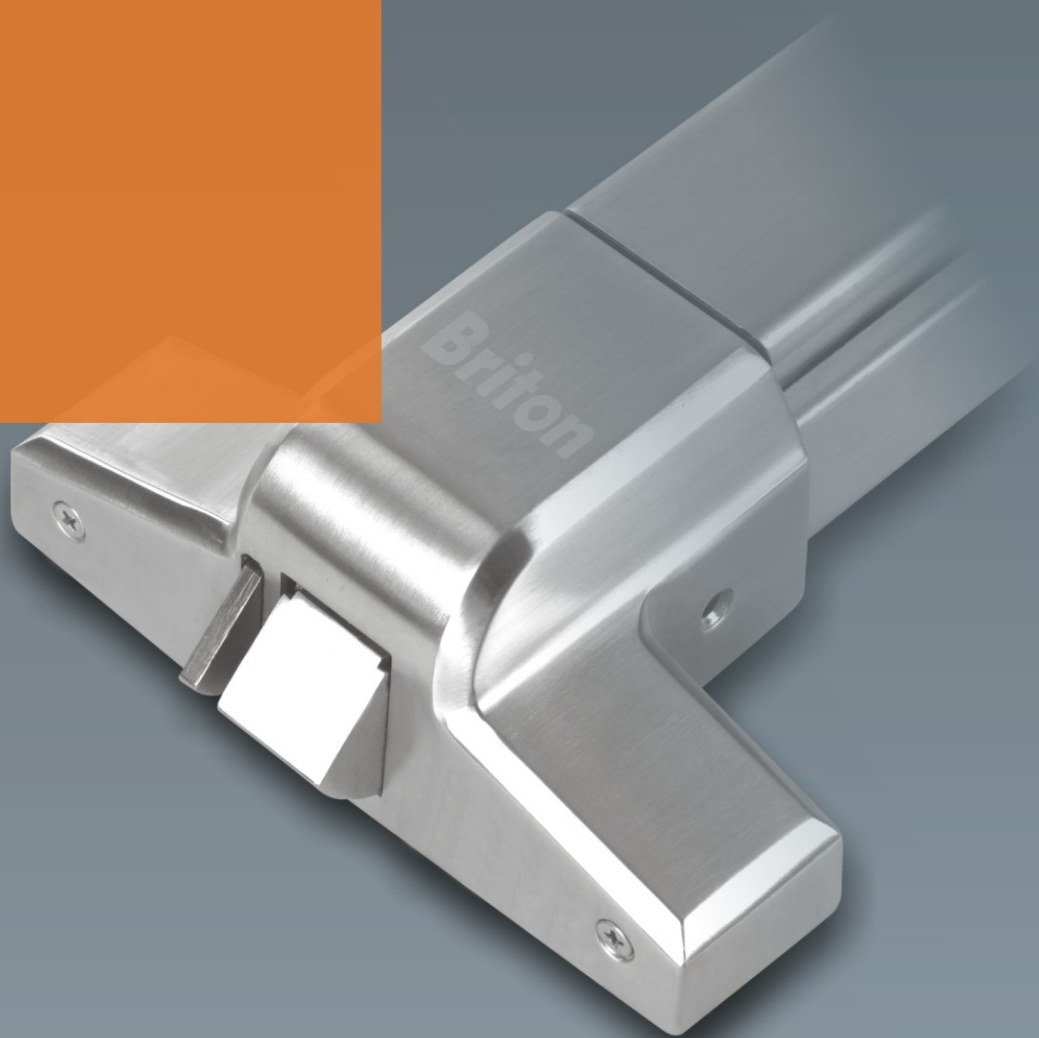


Briton

600
Series

Exit Device



The World's No. 1

For more than a century, the name Allegion has been synonymous with the very best in design, manufacture and installation of architectural hardware.

A global leader in every sense of the term, Allegion has an unrivalled record in meeting and exceeding the demands of architects, designers, specifiers and builders throughout the world.

As one of Allegion's major operating divisions, Allegion Security technologies is now the world's largest supplier of architectural hardware products and access and security systems. Through our trading division Allegion Architectural Hardware, we offer the widest possible choice of hardware products and systems to satisfy every conceivable need wherever commercial, private or public service buildings are created or refurbished.





As the leading manufacturer of exit device, Allegion released its new Briton 600 series exit devices. With the concept of excellent design and customer-oriented service, Briton 600 exit devices provide you trustworthy performance and comfortable user experience with unique design and strict quality control system.

The product can be used in most applications, such as on fire doors, non-fire doors, wood doors, metal doors, inside doors, outside doors, and etc.

The product is certified by independent third-party test lab according to EN 1125, and passed 1.5h fire modality test according to China new national standard GB 12955-2008.



- Office Building
- Bank
- High-end Residential
- Hotel
- Hospital
- Factory
- School



Briton 600 Series Exit Device is the perfect solution for the medium load door. It fits for most common doors and meets the expectation from customers: Strength and Durability, High Reliability, Easy installation.
 Pass EN1125-2000 test

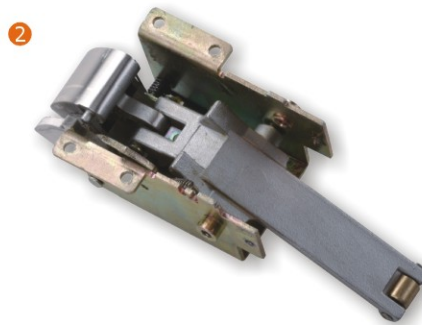
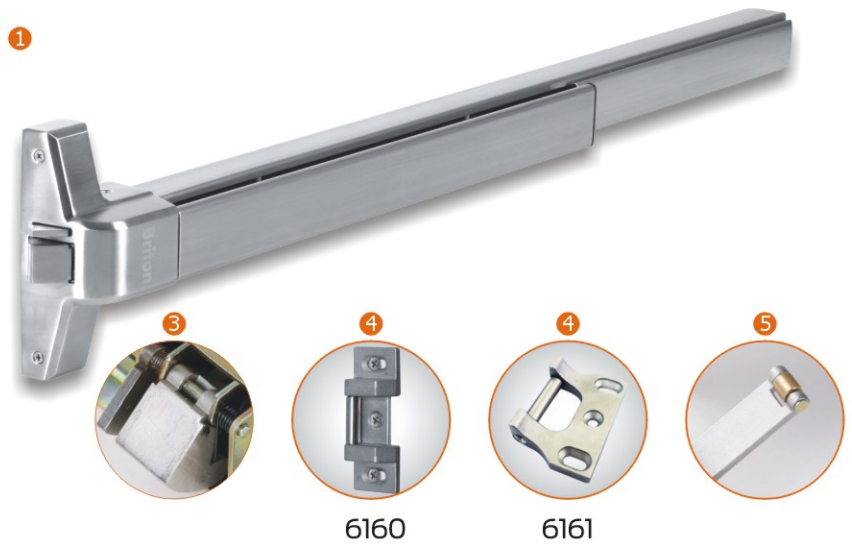
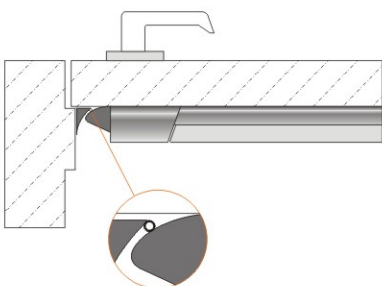
RIM Exit Device

1. High quality SUS304, anti-corrosion, streamlined and fashion design, with protective Neato on the surface
 2. Patent-pending Inter- Link mechanism for easy work and longer cycle life
 3. Two piece Latchbolt made in high quality SUS304 to ensure high security
 4. Roller strike for easy work and impact resistance
 5. Pushpad with roller made in brass to reduce friction
- Self Tapping Screw for wood door
 Machine Screws for metal door
6. Lever- Modern design, pass the tough requirement of EN12209 Grade 1. Suitable for door thickness: 40mm-55mm
 7. Screws-Self Tapping Screws for wood door; Machine Screws for metal door

Optional Finishes

-  Silver Painting
-  Satin Stainless Steel

Installation



Lever
 Lever with high security

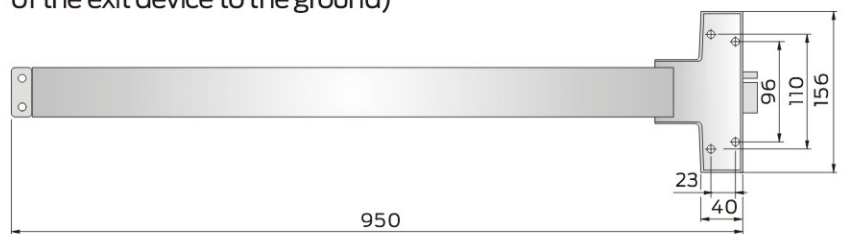


Size and Dimension

- It fits all kinds of the common metal doors and wood doors
 Maximum Door Weight: 150kg
 Maximum Door Height: 2100mm



- The length of the exit device is 950mm
 Suitable for the maximum gate width: 1000mm
- Recommended Installation Height: 905-1260mm (from the center line of the exit device to the ground)



Briton 600 Series Exit Device is your first choice of all the medium load and general exit devices, and fits for most of the common doors. Having the characteristics that the customers expect: durable, high reliability and easy installation.

Pass EN1125-2000 test

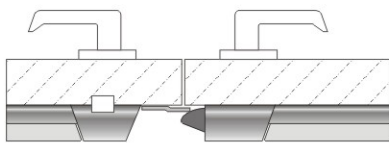
Vertical Rod Device

1. High quality SUS304, anti-corrosion, streamlined and fashion design, with protective film on the surface
2. Top latch made in SUS304 to deliver greater strength and impact resistance
3. Pushpad with roller made in brass to reduce friction
4. Bottom latch with dustproof for easy cleaning and maintenance
5. Patent-pending transmission mechanism for easy installation
6. Lever- Modern design, pass the tough requirement of EN12209 Grade 1. Suitable for door thickness: 40mm-55mm
7. Screws-Self Tapping Screws for wood door; Machine Screws for metal door

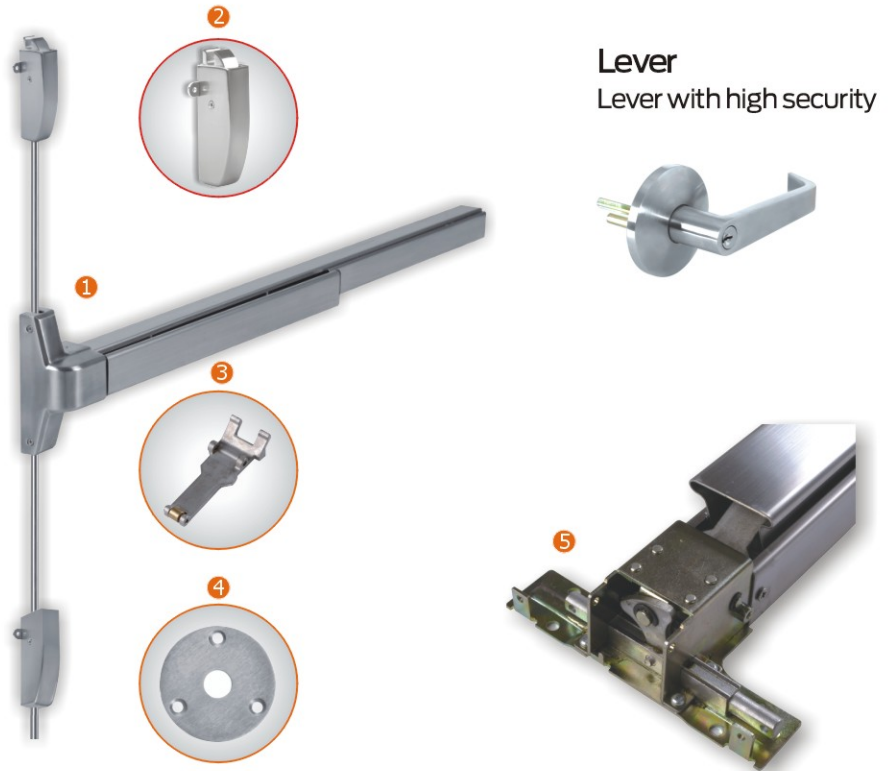
Optional Finishes

-  Silver Painting
-  Satin Stainless Steel

Installation



Tip: Double Action Door Installation
 Rim type for acting door with Vertical type for passive door
 Vertical type for both doors.
 For more details, please consult IR Technical Support and Engineer Team.



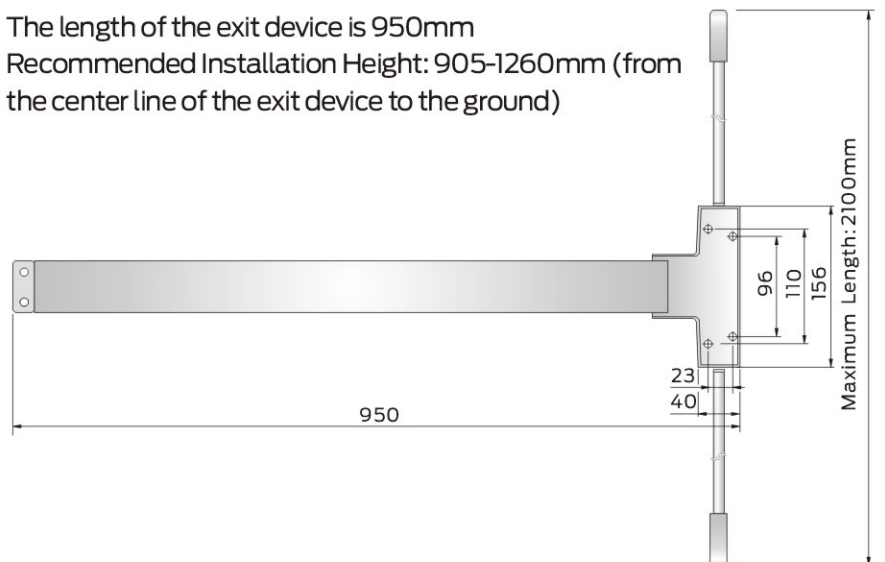
Lever
Lever with high security

Size and Dimension

- It fits all kinds of the common metal doors and wood doors
 Maximum Door Weight: 150kg
 Maximum Door Height: 2100mm
 Maximum Door Width: 1000mm



- The length of the exit device is 950mm
- Recommended Installation Height: 905-1260mm (from the center line of the exit device to the ground)



Briton

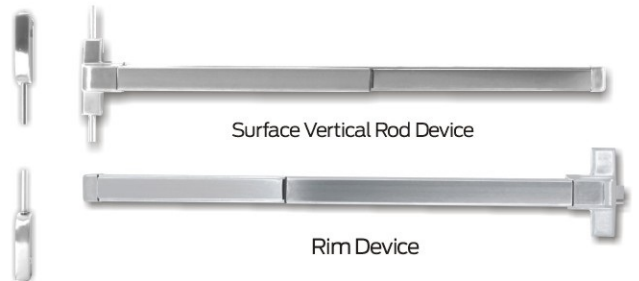
	BT	F	-600	-V	-L	1600 L	-DT	SS	6160	3'x7'
Brand	Briton									
Rate		Fire Rate Device								
Blank		Panic Device								
Series	600 Series									
Type		Rim								
V		Surface Vertical Rod								
Trim Option		Exit Only								
L		Lever								
Trim Series	1600 L Series									
Trim Function		Classroom								
Blank		Dummy Trim								
DT										
Finish		Satin Stainless Steel								
SS		Silver Painting								
SP		Bright Stainless Steel								
PSS										
Strike		Strike for Single Door								
6160		Strike for Double Action Door								
6161										
Door Width	Standard default		Door Height	Standard default		Standard DT=40-55mm				
3			7							
			Blank							

- Optional trim:
- Popular and modern design
 - Passed the torque requirement of EN 12209 Grade I
 - Satin stainless steel finish
 - Suitable for door thickness of 40-55mm

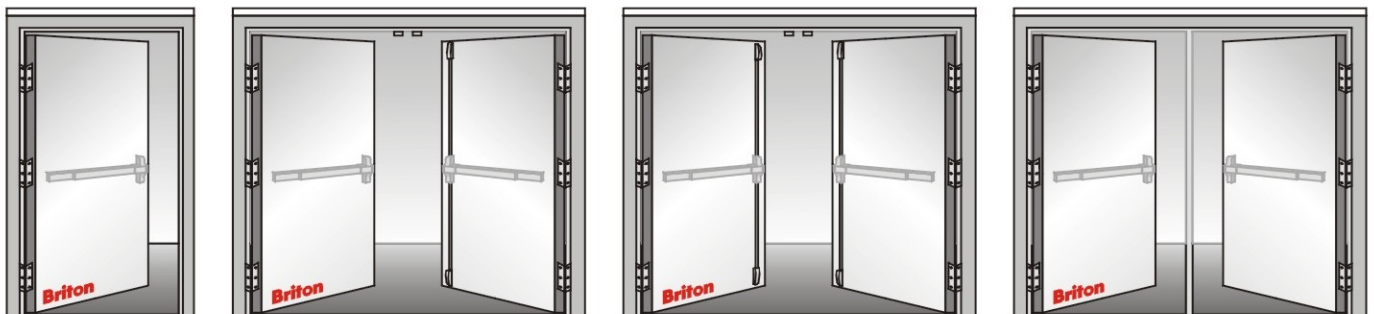


According to the requirement of EN 12209 Grade I, when a torque of 20Nm is applied on the handle, the latch should not be retracted.
According to the requirement of EN 1303 Grade 2 for cylinder, cylinder's torque shall be greater than 5Nm.

- Optional finishes:
-  Silver Coating
 -  Sating Stainless Steel



Briton™ Installation



Trustworthy Performance

- Separate latch design to ensure high security
- Passed EN 1125 performance test
- Passed 1.5h fire modality test required by China new national standard GB 12955-2008
- High performance in reliability test (Rim exceeds 200,000 cycle requirement)
- Roller strike as a standard feature, which will ensure longer cycle life



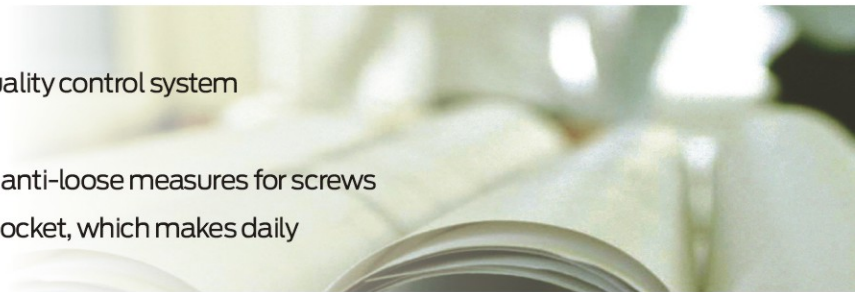
Perfect User Experience

- Streamlined design, simple and modern style
- High-quality stainless steel 304, passed 96h salt spray test
- Unique roller design to ensure smooth movement and less noise



Dedication to Details

- The manufacturing process comply with strict quality control system
- Every part is inspected strictly
- Use more rivets than screws for connection, with anti-loose measures for screws
- Bottom vertical latch equipped with dust-proof socket, which makes daily maintenance more convenient



Maximizing Customer Value

- Affordable price
- Two years' mechanical warranty
- Professional technical support
- Easy to install



About Allegion

Allegion (NYSE: ALLE) creates peace of mind by pioneering safety and security. As a provider of security solutions for homes and businesses, Allegion, a constituent of the S&P 500, employs more than 8,000 people and sells products in more than 120 countries across the world. Allegion comprises 27 global brands, including strategic brands CISA®, Interflex®, LCN®, Schlage® and Von Duprin®.

For more, visit: www.allegion.com

Briton ■  CISA ■ LCN ■  SCHLAGE ■ VON DUPRIN

